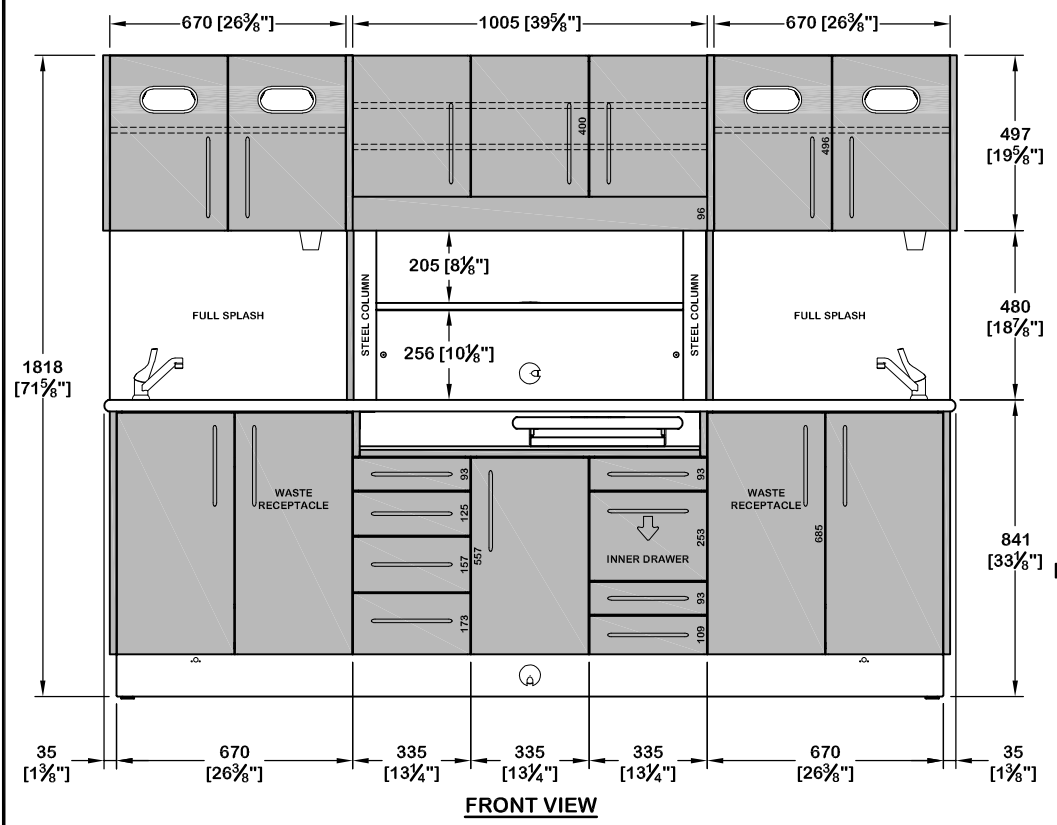


PLAN VIEW

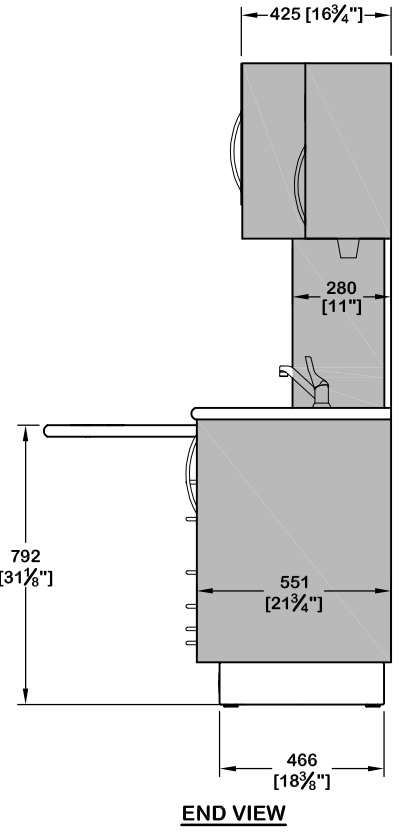
*ALSO AVAILABLE IN 19" DEPTH

STANDARD REAR SUPPORT CONFIGURATION. SHOWN WITH WORK SURFACE OPTION '4' LINEAR SLIDING COUNTER. PLEASE SEE RS-OPTION PAGES FOR NUMEROUS WORK SURFACE, HUTCH, AND BASE MODULE CONFIGURATIONS.

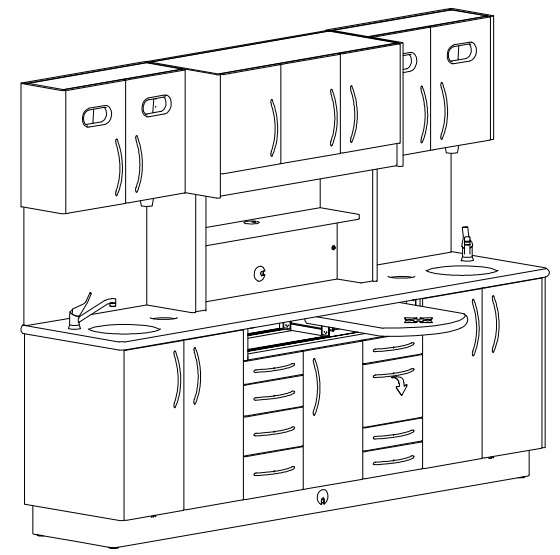
- ACCENT COLOR
- BASE COLOR



FRONT VIEW



END VIEW



ISOMETRIC VIEW

SERIES: SIGNATURE MERIDIAN

DEPTH: 19" 23"

COUNTER: SOLID SURFACE LAMINATE STONE COLOR: _____

BASE COLOR: _____ ACCENT COLOR: _____

FINISHED BACK: YES NO COLOR: _____ MONOTONE



DRAWING DETAIL		DRAWING NAME	
REAR SUPPORT TWO SINKS 23" DEEP AGAINST WALL		RS2-23	
DRAWN BY	DATE	SCALE	VIEW
MLW	05-JUL-18	NTS	AS SHOWN
COPYRIGHT NOTICE			
© Copyright of Bow Wood Dental Systems Inc. All Rights Reserved. No part of this drawing may be reproduced or distributed in any form without prior written permission from Bow Wood Dental			