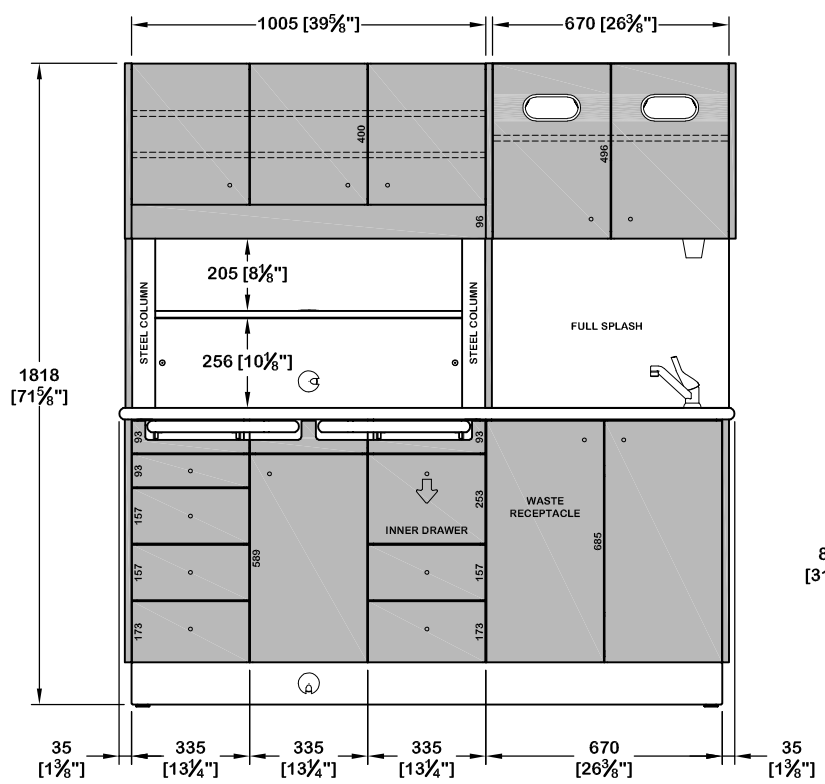


PLAN VIEW

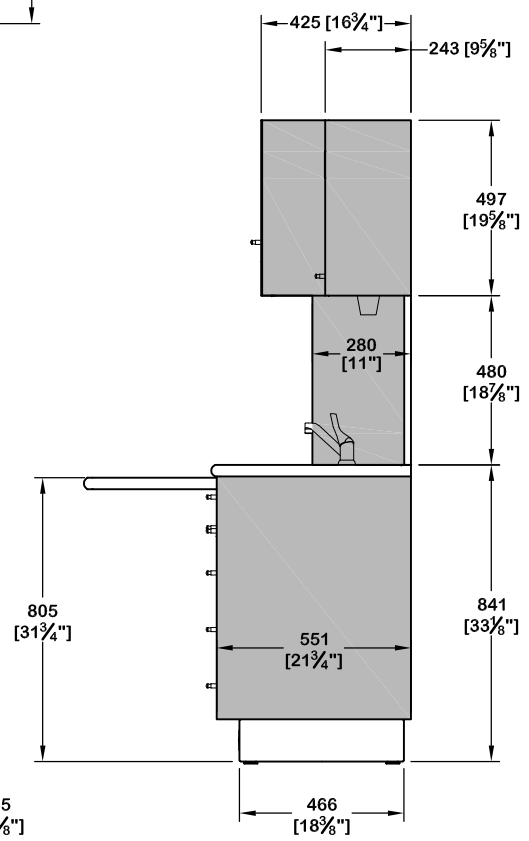
*ALSO AVAILABLE IN 19" DEPTH

STANDARD REAR SUPPORT CONFIGURATION. SHOWN WITH WORK SURFACE OPTION '2' DUAL L/R SLIDING COUNTER. PLEASE SEE RS-OPTION PAGES FOR NUMEROUS WORK SURFACE, HUTCH, AND BASE MODULE CONFIGURATIONS.

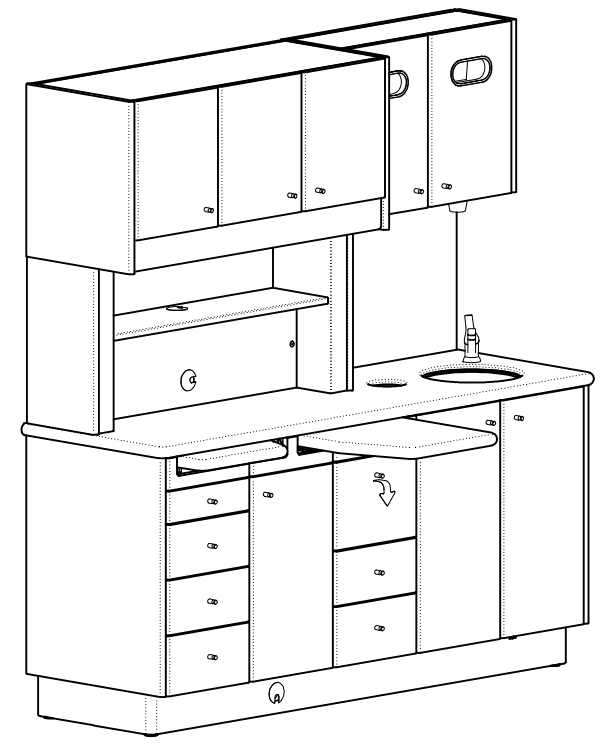
● ACCENT COLOR
○ BASE COLOR



FRONT VIEW



END VIEW



ISOMETRIC VIEW

SERIES: SIGNATURE MERIDIAN
 DEPTH: 19" 23"
 COUNTER: SOLID SURFACE LAMINATE STONE COLOR: _____
 BASE COLOR: _____ ACCENT COLOR: _____
 FINISHED BACK: YES NO COLOR: _____ MONOTONE



DRAWING DETAIL REAR SUPPORT I SINK RIGHT 23" DEEP AGAINST WALL		DRAWING NAME RS1R-23	
DRAWN BY MLW	DATE 05-JUL-18	SCALE NTS	VIEW AS SHOWN
COPYRIGHT NOTICE © Copyright of Bow Wood Dental Systems Inc. All Rights Reserved. No part of this drawing may be reproduced or distributed in any form without prior written permission from Bow Wood Dental			