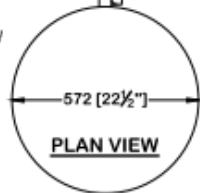
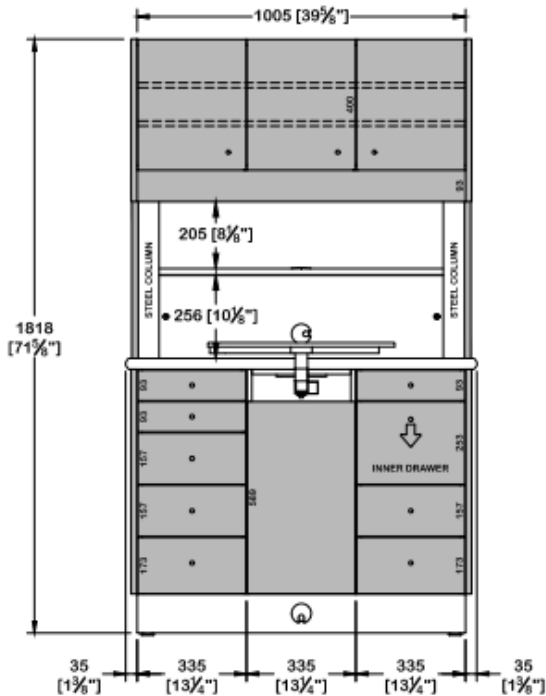


\*ALSO AVAILABLE IN 19" DEPTH

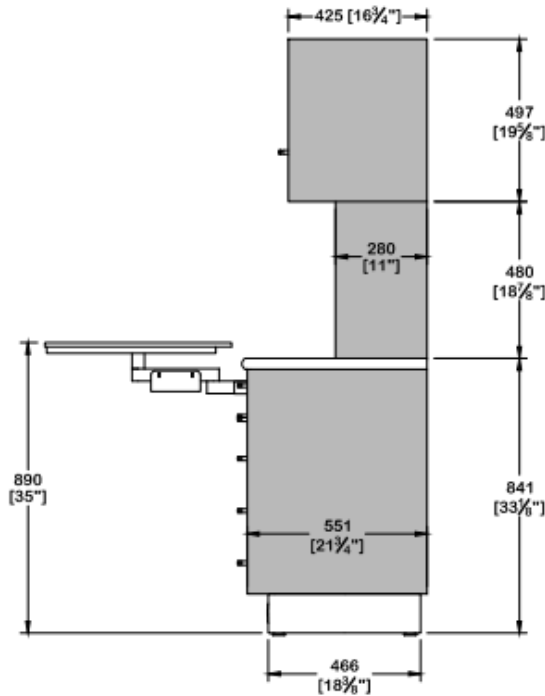


STANDARD REAR SUPPORT CONFIGURATION. SHOWN WITH WORK SURFACE OPTION '3' DUO SWING TABLE. PLEASE SEE RS-OPTION PAGES FOR NUMEROUS WORK SURFACE, HUTCH, AND BASE MODULE CONFIGURATIONS.

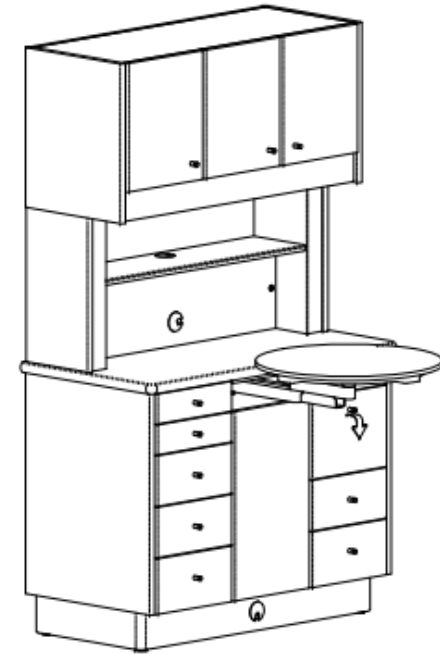
● ACCENT COLOR  
○ BASE COLOR



FRONT VIEW



END VIEW



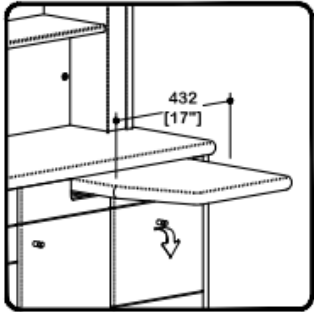
ISOMETRIC VIEW

SERIES:     SIGNATURE     MERIDIAN  
 DEPTH:     19"     23"  
 COUNTER:     SOLID SURFACE     LAMINATE     STONE    COLOR: \_\_\_\_\_  
 BASE COLOR: \_\_\_\_\_    ACCENT COLOR: \_\_\_\_\_  
 FINISHED BACK:     YES     NO    COLOR: \_\_\_\_\_     MONOTONE

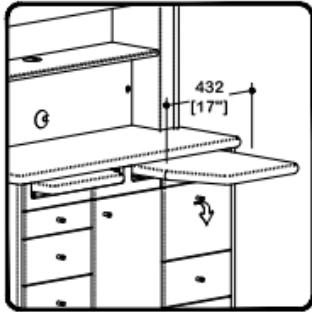
**Bow Wood**  
cabinet systems

DRAWING DETAIL		DRAWING NAME	
REAR SUPPORT - 23" DEEP AGAINST WALL		RS-23	
DRAWN BY	DATE	SCALE	VIEW
MLW	05-JUL-18	NTS	AS SHOWN
COPYRIGHT NOTICE			
© Copyright of Bow Wood Dental Systems Inc. All Rights Reserved. No part of this drawing may be reproduced or distributed in any form without prior written permission from Bow Wood Dental.			

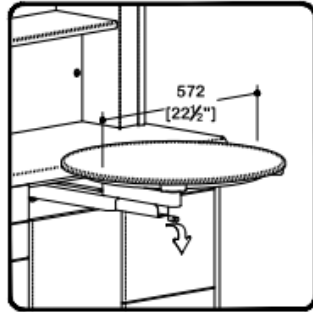
**WORK SURFACE OPTIONS**



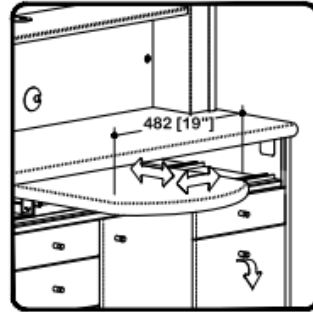
SINGLE PULLOUT  
 LEFT    RIGHT



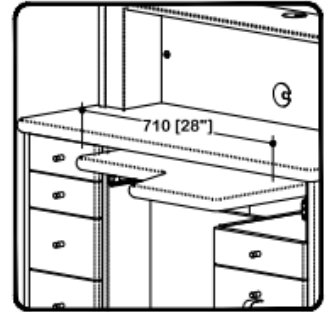
DUAL L/R SLIDING COUNTER



DUO SWING TABLE  
 ROUND    SQUARE



LINEAR SLIDING COUNTER



FOREST PULLOUT

**HUTCH CONFIGURATIONS**



FULL SPLASH



STANDARD SHELF



HALF HEIGHT SHELF



QUARTER HEIGHT SHELF



UPPER ACCESSORY PANEL



UPPER STORAGE



ACCESSORY / STORAGE



BASE ACCESSORY PANEL



SPLIT SHELF



SHALLOW SHELF

WORK SURFACE OPTION: \_\_\_\_\_

BASE MODULES: L: \_\_\_\_\_ C: \_\_\_\_\_ R: \_\_\_\_\_

HUTCH CONFIGURATION: \_\_\_\_\_

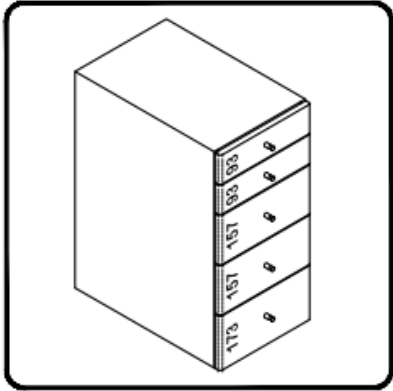
CUSTOM NOTES: \_\_\_\_\_



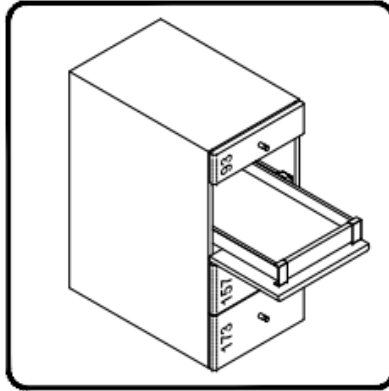
DRAWING DETAIL		DRAWING NAME	
REAR SUPPORT OPTIONS		RS-OPT-PG1	
PAGE 1 OF 2			
DRAWN BY	DATE	SCALE	VIEW
MLW	05-JUL-18	NTS	AS SHOWN
COPYRIGHT NOTICE			
© Copyright of Bow Wood Dental Systems Inc. All Rights Reserved. No part of this drawing may be reproduced or distributed in any form without prior written permission from Bow Wood Dental			

**BASE MODULES**

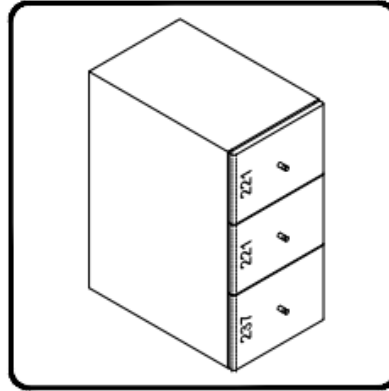
(MOST MODULES CAN BE CONVERTED TO SIDE OPENING)



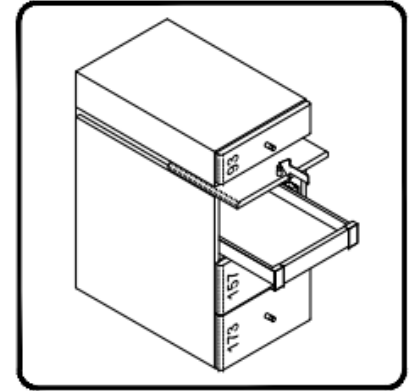
DOCTOR'S



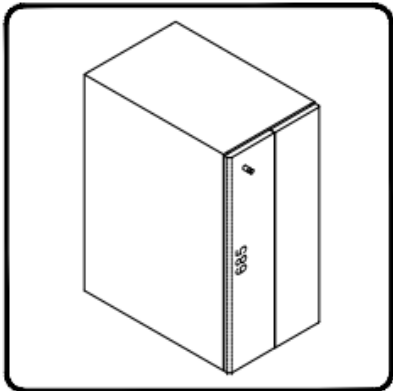
ASSISTANT'S



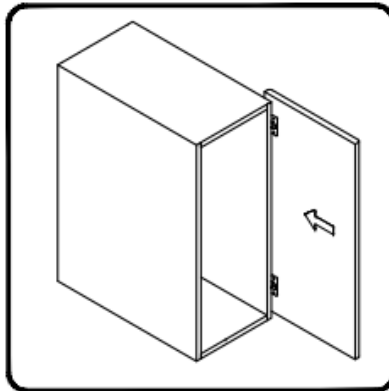
EQUIPMENT



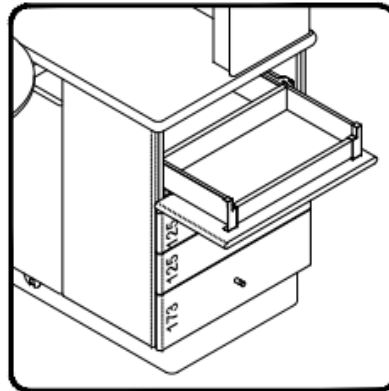
FLIP & PUSH



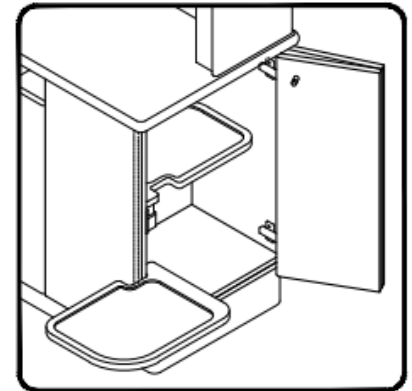
BI-FOLD



POCKET



SIDE OPENING ASSISTANT'S



SIDE OPENING SWING TRAY

WORK SURFACE OPTION: \_\_\_\_\_

BASE MODULES: L: \_\_\_\_\_ C: \_\_\_\_\_ R: \_\_\_\_\_

HUTCH CONFIGURATION: \_\_\_\_\_

CUSTOM NOTES: \_\_\_\_\_



DRAWING DETAIL		DRAWING NAME	
REAR SUPPORT OPTIONS PAGE 2 OF 2		<b>RS-OPT-PG2</b>	
DRAWN BY	DATE	SCALE	VIEW
MLW	05-JUL-18	NTS	AS SHOWN
COPYRIGHT NOTICE			
© Copyright of Bow Wood Dental Systems Inc. All Rights Reserved. No part of this drawing may be reproduced or distributed in any form without prior written permission from Bow Wood Dental			