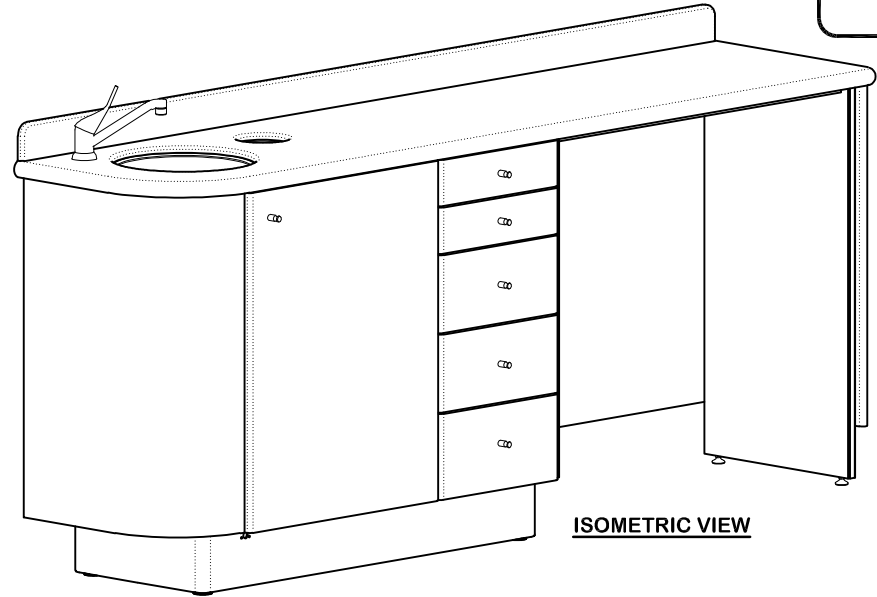


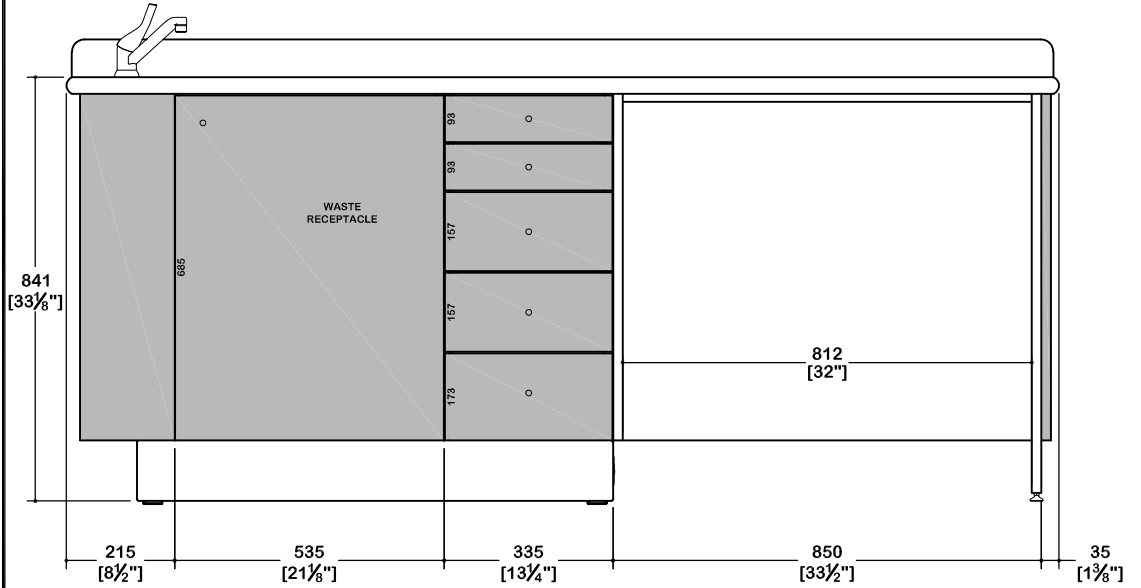
**PLAN VIEW**

- ACCENT COLOR
- BASE COLOR

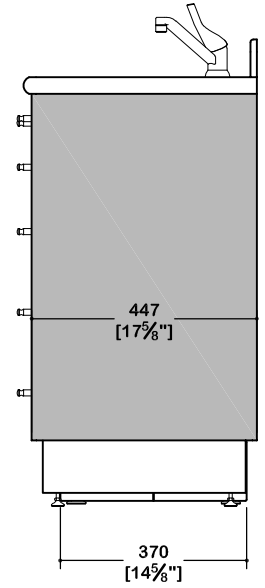
*SHOWN WITH SINK LEFT OPTION, SINK RIGHT OPTION AVAILABLE. PLEASE SEE SIDE CABINET OPTION PAGE FOR NUMEROUS CONFIGURATIONS.*



**ISOMETRIC VIEW**



**FRONT VIEW**



**END VIEW**

SERIES:     SIGNATURE     MERIDIAN

DEPTH:     19"     23"

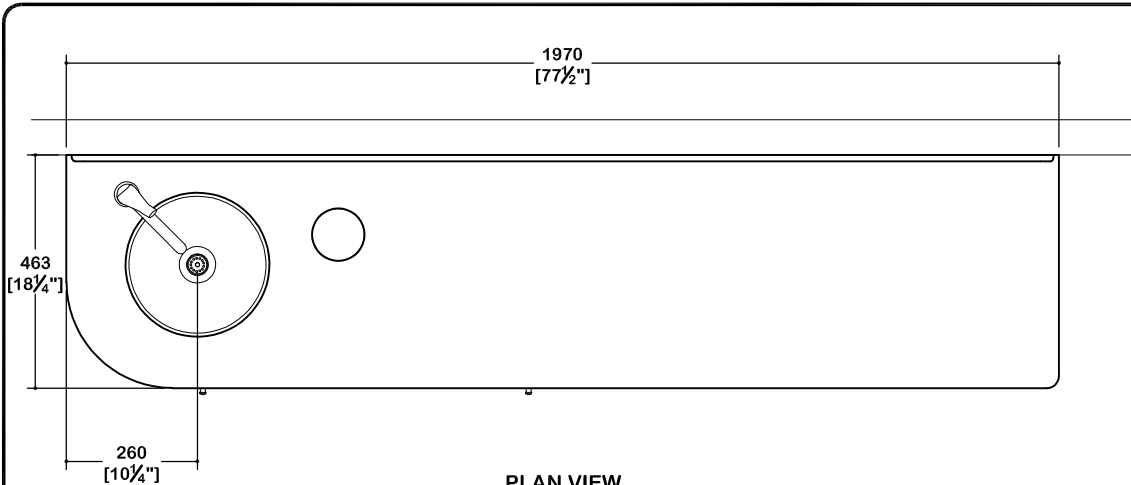
COUNTER:     SOLID SURFACE     LAMINATE     STONE    COLOR: \_\_\_\_\_

BASE COLOR: \_\_\_\_\_    ACCENT COLOR: \_\_\_\_\_

FINISHED BACK:     YES     NO    COLOR: \_\_\_\_\_     MONOTONE



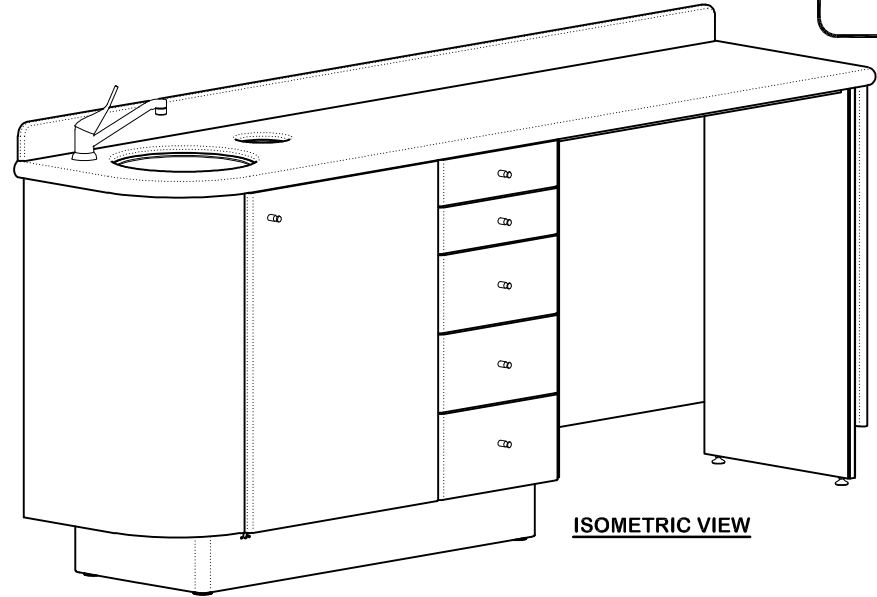
DRAWING DETAIL DOCTORS SIDE CABINET LEFT		DRAWING NAME <b>DRSL</b>	
DRAWN BY MLW	DATE 05-JUL-18	SCALE NTS	VIEW AS SHOWN
COPYRIGHT NOTICE © Copyright of Bow Wood Dental Systems Inc. All Rights Reserved. No part of this drawing may be reproduced or distributed in any form without prior written permission from Bow Wood Dental			



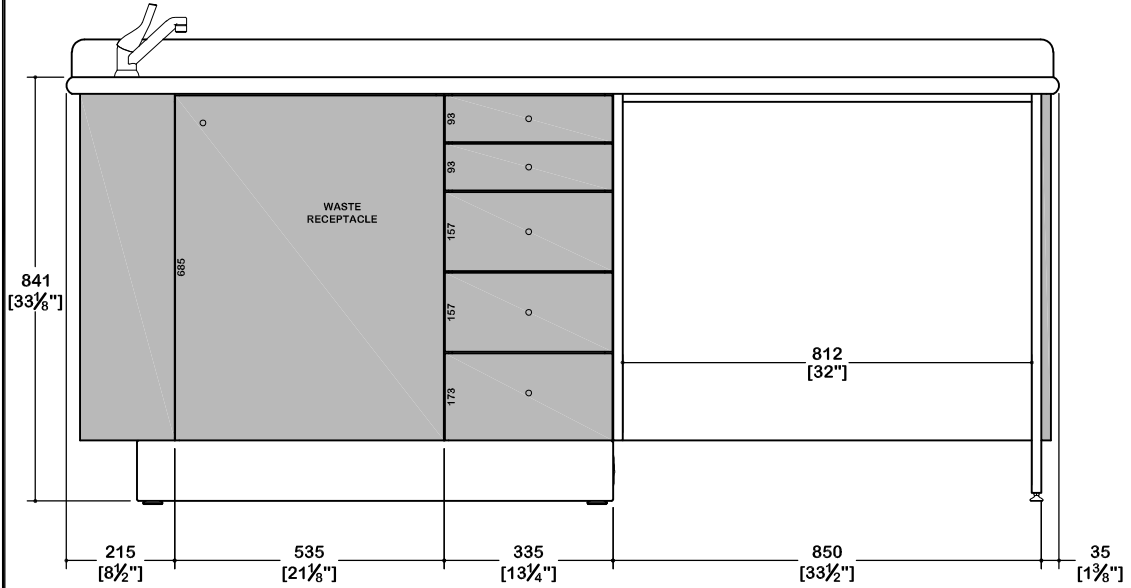
**PLAN VIEW**

- ACCENT COLOR
- BASE COLOR

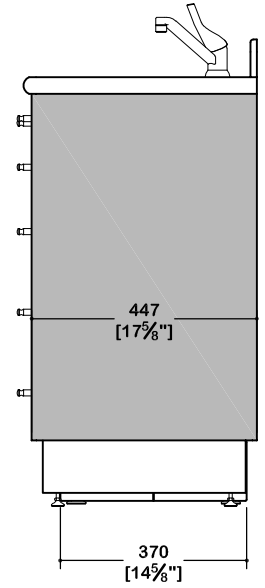
*SHOWN WITH SINK RIGHT OPTION, SINK LEFT OPTION AVAILABLE. PLEASE SEE SIDE CABINET OPTION PAGE FOR NUMEROUS CONFIGURATIONS.*



**ISOMETRIC VIEW**



**FRONT VIEW**



**END VIEW**

SERIES:     SIGNATURE     MERIDIAN

DEPTH:     19"     23"

COUNTER:     SOLID SURFACE     LAMINATE     STONE    COLOR: \_\_\_\_\_

BASE COLOR: \_\_\_\_\_    ACCENT COLOR: \_\_\_\_\_

FINISHED BACK:     YES     NO    COLOR: \_\_\_\_\_     MONOTONE



DRAWING DETAIL DOCTORS SIDE CABINET LEFT		DRAWING NAME <b>DRSL</b>	
DRAWN BY MLW	DATE 05-JUL-18	SCALE NTS	VIEW AS SHOWN
COPYRIGHT NOTICE © Copyright of Bow Wood Dental Systems Inc. All Rights Reserved. No part of this drawing may be reproduced or distributed in any form without prior written permission from Bow Wood Dental			