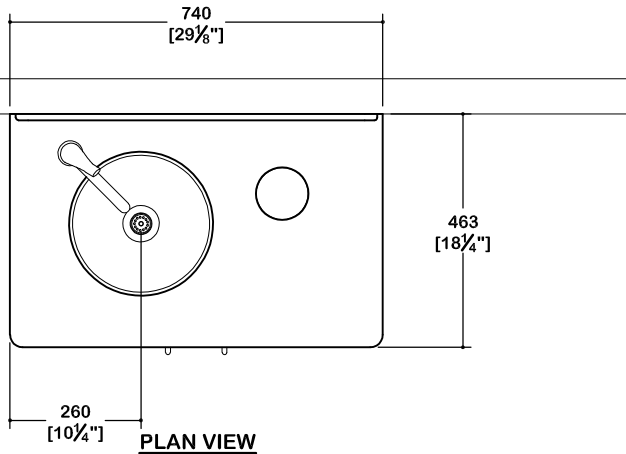
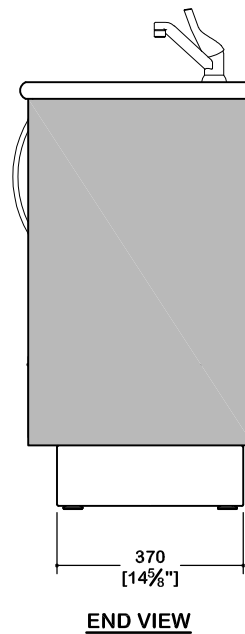
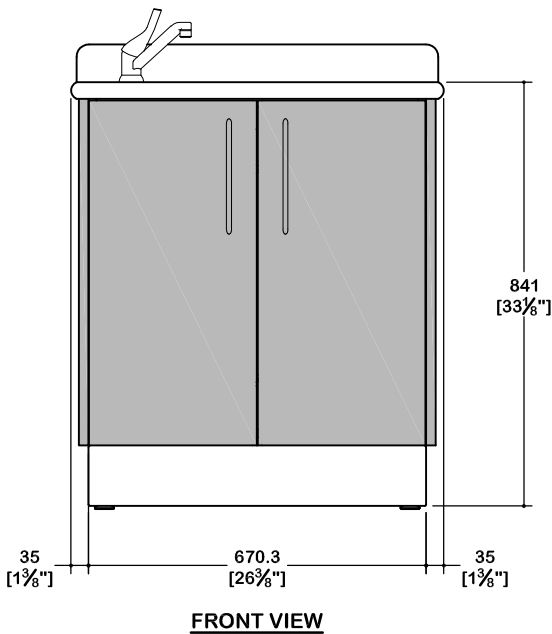
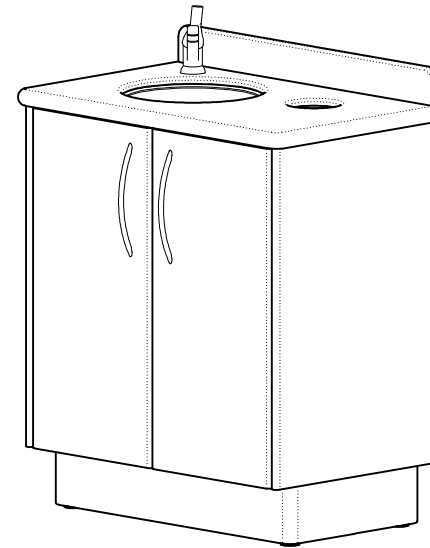


QTY



● ACCENT COLOR
○ BASE COLOR



SHOWN WITH SINK LEFT OPTION, SINK RIGHT OPTION AVAILABLE. PLEASE SEE SIDE CABINET OPTION PAGE FOR NUMEROUS CONFIGURATIONS.

SERIES: SIGNATURE MERIDIAN

DEPTH: 19" 23"

COUNTER: SOLID SURFACE LAMINATE STONE COLOR: _____

BASE COLOR: _____ ACCENT COLOR: _____

FINISHED BACK: YES NO COLOR: _____ MONOTONE



DRAWING DETAIL		DRAWING NAME	
WASH STATION SQUARE SINK LEFT		WSS-L	
DRAWN BY	DATE	SCALE	VIEW
MLW	05-JUL-18	NTS	AS SHOWN
COPYRIGHT NOTICE			
© Copyright of Bow Wood Dental Systems Inc. All Rights Reserved. No part of this drawing may be reproduced or distributed in any form without prior written permission from Bow Wood Dental			